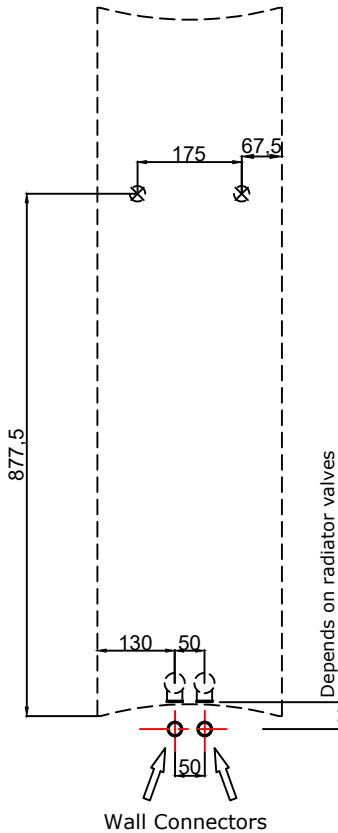


EcoBP 1200

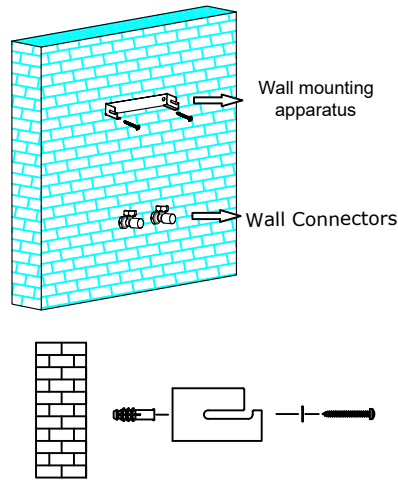
1

Drill the holes for the wall plugs with a \varnothing 10 mm drill bit as illustrated in the figure.



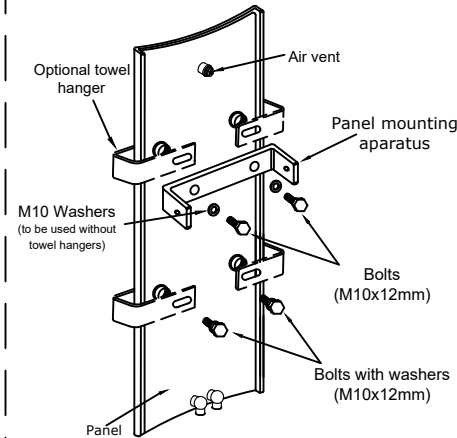
2

Fix the wall mounting apparatus on the wall as illustrated.



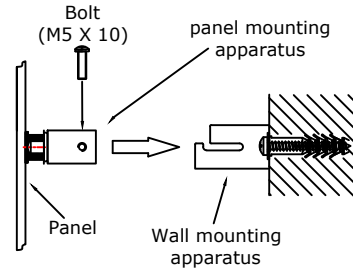
3

Fix the panel mounting apparatus to the back of the product as illustrated. If the optional towel hangers are not used, the supplied washers must be used. Do not take off the edge and surface protective materials until all plumbing work is finished.

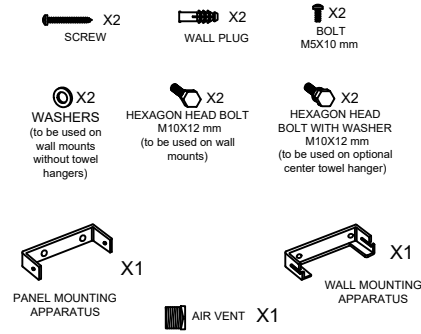


4

Hold the product carefully and insert the panel mounting apparatus into the wall mounting apparatus and then fix it by tightening the bolt.

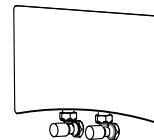


SUPPLIED INSTALLATION ACCESSORIES

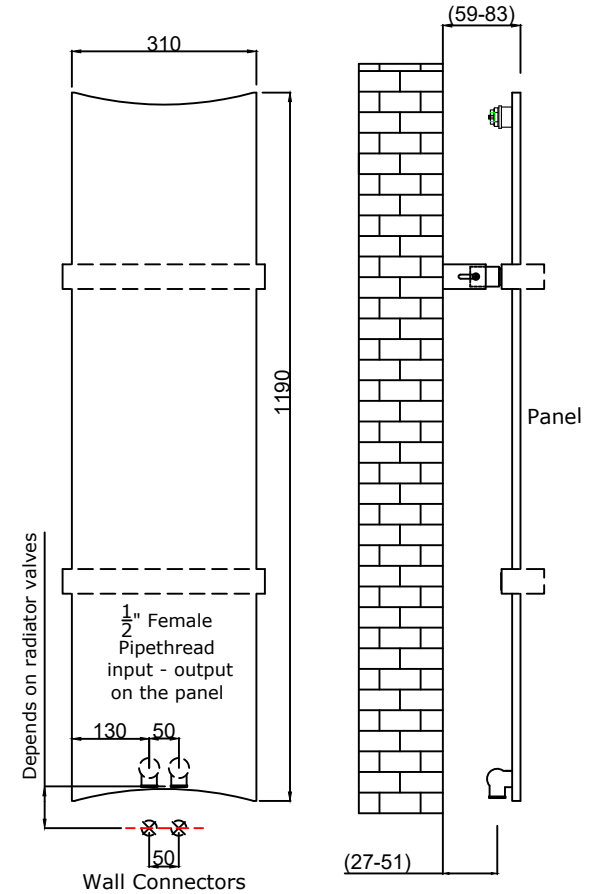


5

Complete plumbing connections as shown in the figure



Plumbing Figure



Determine the position of the product according to the water inlet - outlet dimensions stated in the figure.